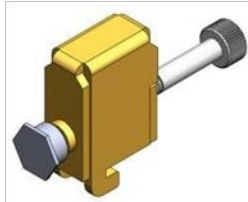
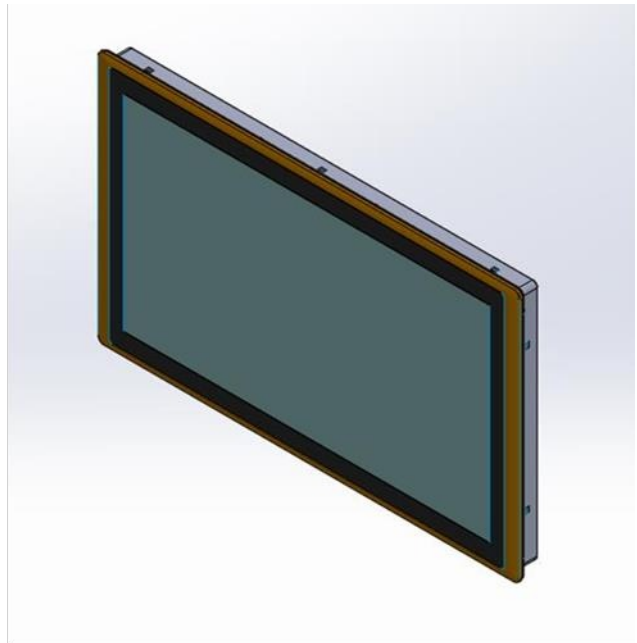


3.3 Installing Panel Mount

Step 1. Accessories provided by Cincoze are as below. Before assembly, please prepare panel mount PPC and customer's fixture. (Please note that the quantity of mounting kits varies with the size of the display module, please refer to the datasheet for the actual quantity)

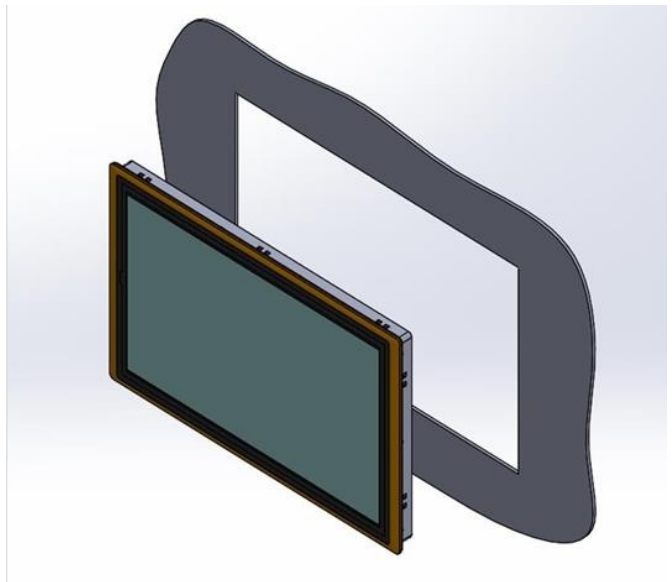


Mounting Kits

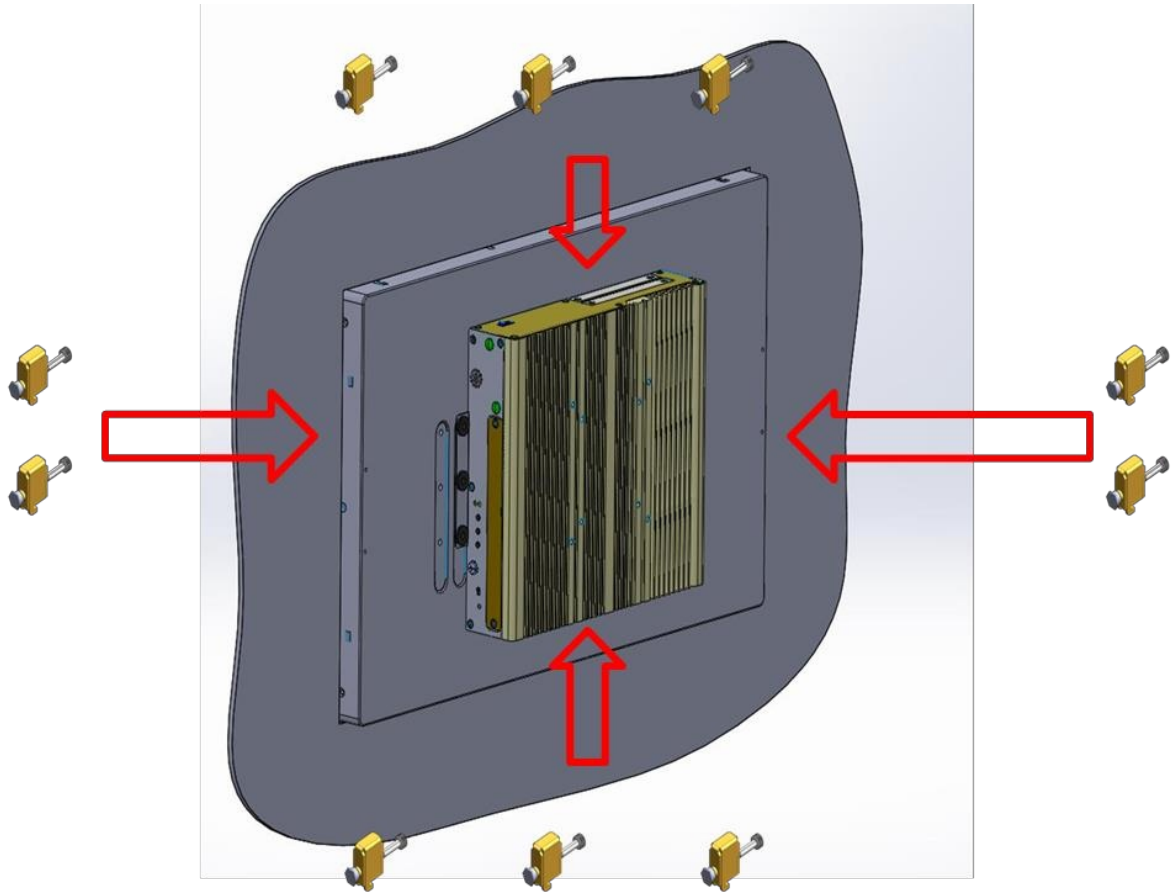


Panel Mount PPC

Panel Mount with customer's fixture
(Front View)



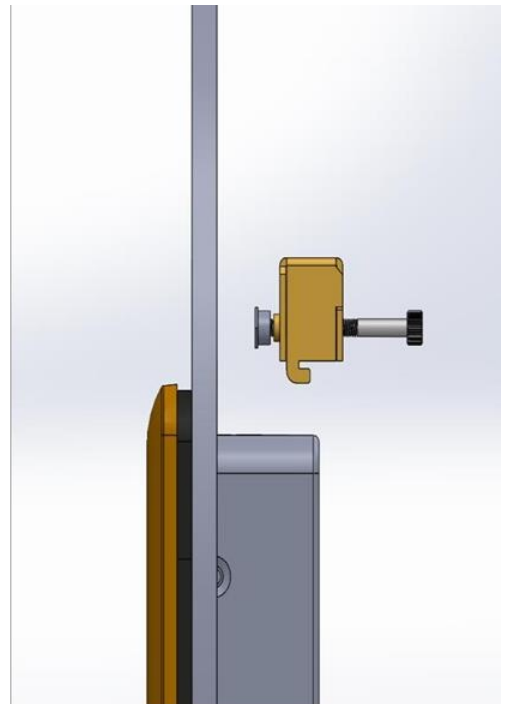
Step 2. All mounting kits displayed are to be inserted into holes.



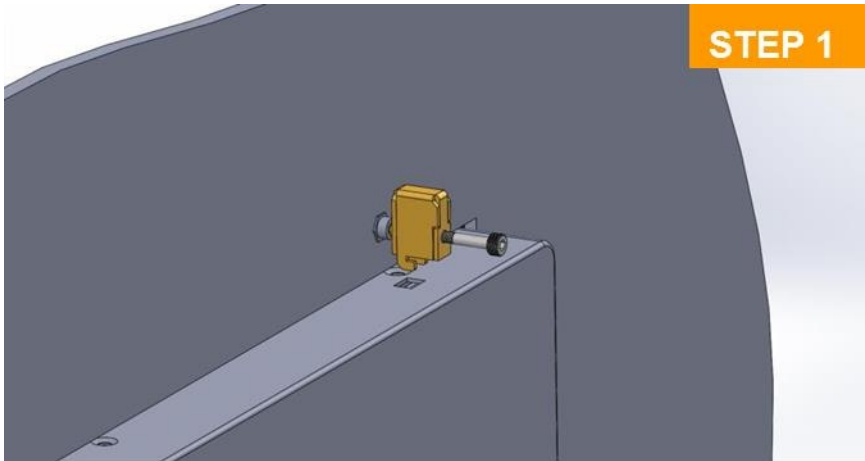
Step 3. Installation preparation and steps.



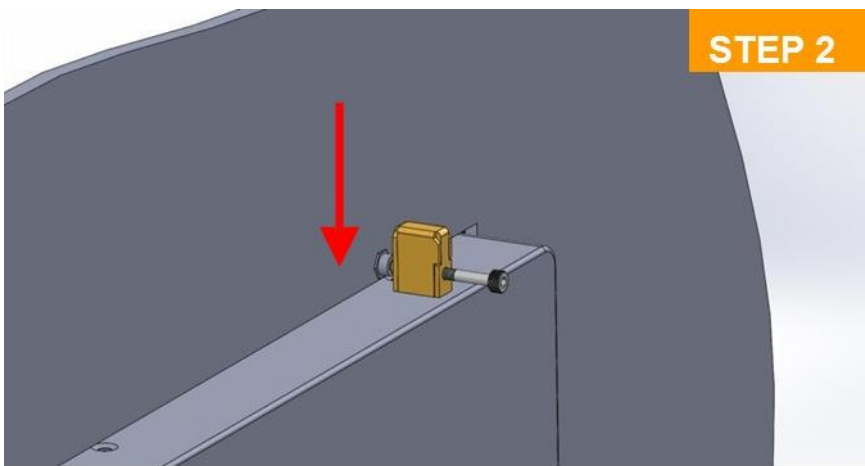
Panel mount side view with LVDS connector



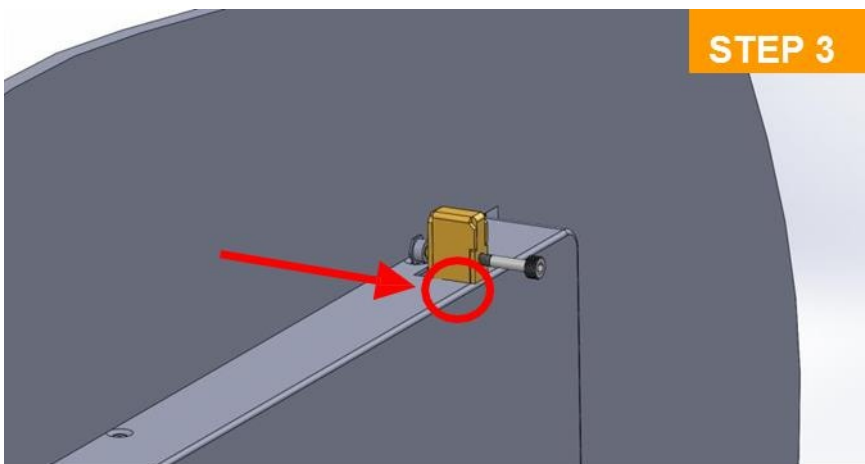
Before Mounting Kits are installed



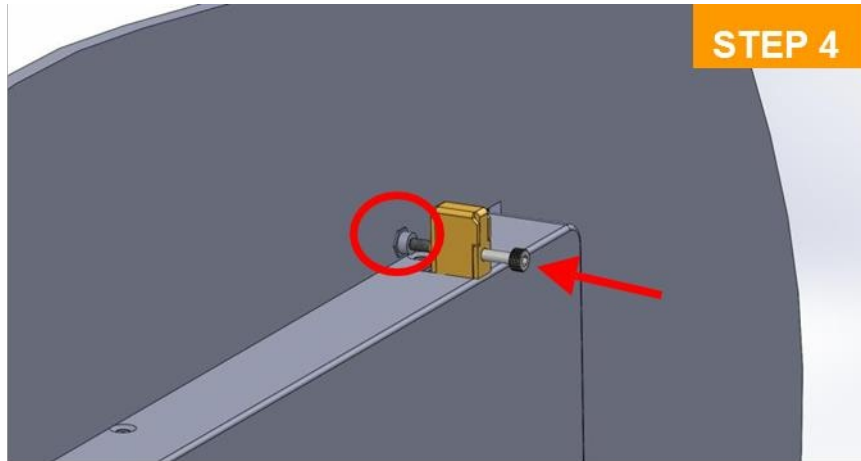
Position panel mount kits



Insert the panel mounting kit into bottom hole



Slide the kit toward back



Tighten the screw forward until the front screw just touches the surface

Step 4. Apply all mount kits to the rest of holes. And you have completed the panel mount installation, as shown below.

